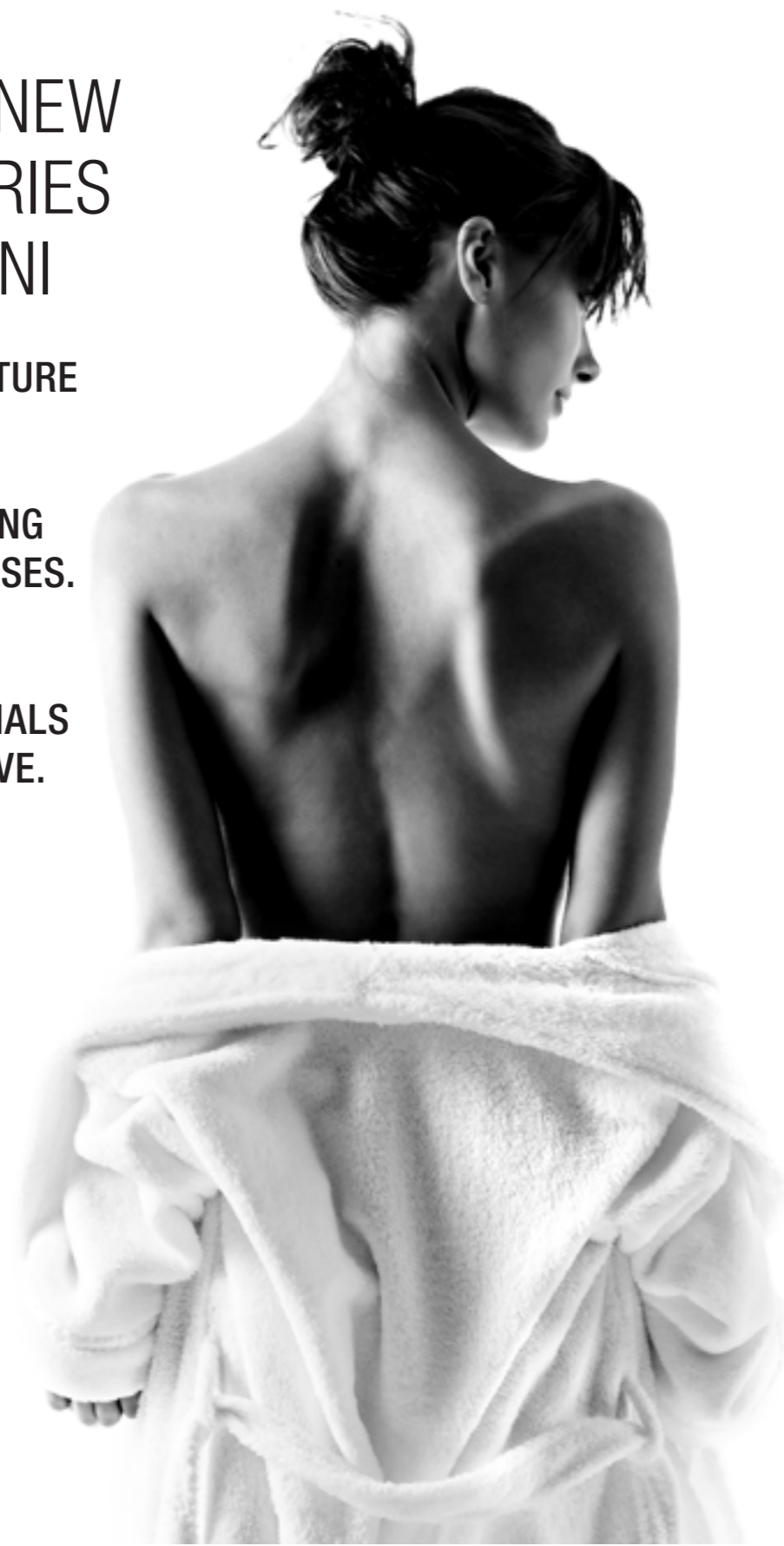


**ZARO**  
**SENSATIONAL**  
**NEW**  
**BATHROOM**  
**FURNITURE**



# ZARO IS THE NEW DESIGNER SERIES FROM DANSANI

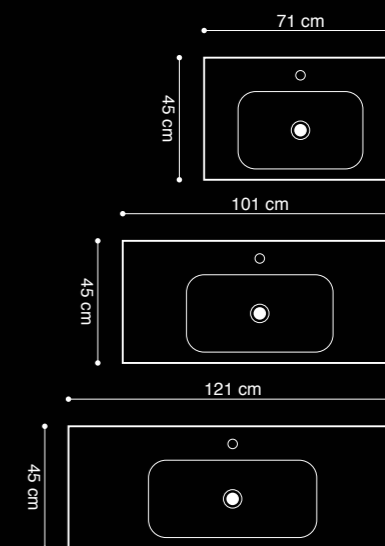
THE BATHROOM FURNITURE  
ATTRACTS ATTENTION,  
CHALLENGES OUR  
CONVENTIONAL THINKING  
AND PLEASES THE SENSES.  
THE DESIGN IS SIMPLE  
AND FUNCTIONAL AND  
THE CHOICE OF MATERIALS  
IS BOLD AND INNOVATIVE.





# MENUET WASHBASINS

MENUET IS A TIMELESS PORCELAIN WASHBASIN WITH A SPACIOUS BOWL.  
THE DESIGN IS CLASSIC AND COMPLIMENTS ANY BATHROOM.



---

## FUNCTIONALITY AND HIGH COMFORT LEVEL

The innovative rubber surface has a fantastic feel to it;  
a thoroughly irresistible velvety touch.

---



DRIFTWOOD IS  
EUROPEAN OAK  
VENEER WHICH IS  
SURFACE TREATED  
TO ACCENTUATE  
THE WOOD GRAIN.



---

## BRUSHED WALNUT

Well-known wood type, but processed in a way to make the wood structure seem more innovative. In complete harmony with the lines of the Zaro furniture.



**SHELF**  
The glass shelves provide a light expression



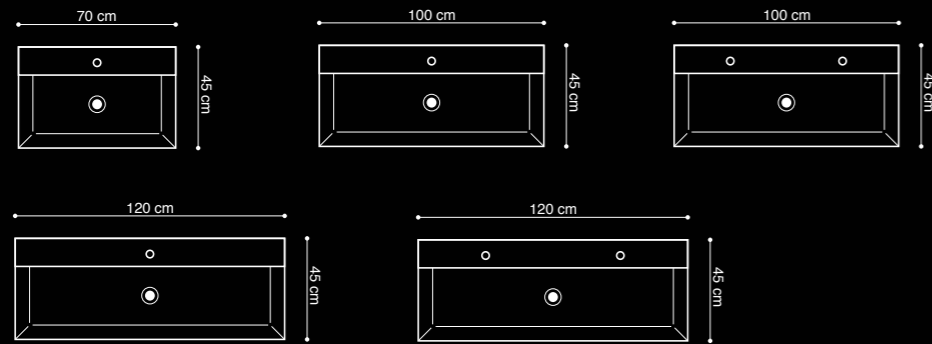
**HANDLES**  
Elegant, integrated handles. Simple as that!



**DOOR**  
Integrated handle on door on tall cabinets. Clean and appealing!

# SQUARE WASHBASINS

THE SQUARE WASHBASIN WITH A PURE, SCANDINAVIAN EXPRESSION IS AVAILABLE AS A SINGLE AND DOUBLE WASHBASIN IN POLISHED, CULTURED MARBLE OR SILK MATT TOP-SOLID.



ZARO DRIFTWOOD:  
RUSTIC ELEGANCE IN NATURAL SURROUNDINGS.

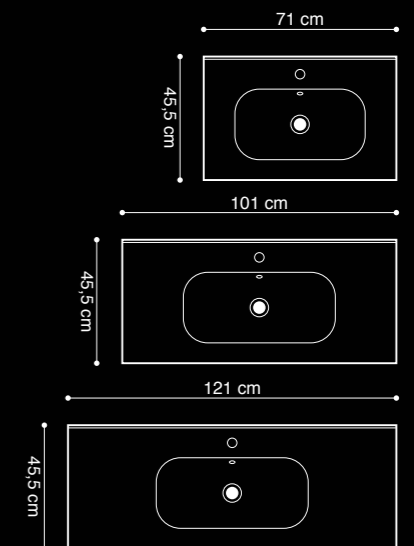




SQUARE 70

# KANTATE WASHBASINS

KANTATE COMES WITH LIGHT STRAIGHT LINES, AMPLE SPACE AND GREAT SHAPES IN THE BASIN. THE WASHBASIN IS AVAILABLE IN BLACK OR WHITE PORCELAIN.







**CLASSICAL WHITE  
WITH MODERN CONTRAST  
OF THE BOLD BLACK  
KANTATE WASHBASIN**





**LINEAR, MINIMALISTIC  
AND STYLISH**



## PRODUCT INFORMATION

### PORCELAIN WASHBASINS

Zaro porcelain washbasins are manufactured from genuine sanitary porcelain, a strong, glazed ceramic material. When fired at approx. 1220°C, the glaze melts to form a hard, smooth and shiny surface which is easy to clean.



### CULTURED MARBLE WASHBASINS

The marble washbasins are made from mineral powder, polyester and binding agents. The washbasins are cast in solid moulds and surface-treated with clear gel coat or the silky soft Top-Solid coating, a mix of polyester and aluminium trihydrate 0,5 to 1,0 mm thick providing a beautiful matt finish. For cleaning, we recommend Dansani Clean & Shine. Square washbasins have no overflow hole. For this reason we recommend that you use a free-flow basin waste. However should you want to use a basin mixer with pop-up waste, please use the enclosed spacer fitting.



White



Driftwood



Brushed walnut



Black rubber



Drawers



Sensor

The mirror is a central function in any bathroom. It is important that the mirror cabinet is well lit. Zaro has also made sure of this. The large mirror cabinet and the mirrors in the series come with a sensor which automatically turns on the light when you activate the sensor.

Plugs never look nice on any wall surface. Zaro mirror cabinets are supplied with a shaver point discretely and practically hidden away inside the mirror cabinet.

Zaro's clean and minimalistic expression is completed by fronts and drawers with integrated handles. This makes the bathroom furniture timeless and practical. No visible handles to collect dust and specks; just open with the integrated grab rail. Opening cabinets and drawers becomes easy, sliding and silent by means of the integrated soft close runners.

Drawers come with solid metal ends and are delivered with hidden rails with a full pull-out and self-closing mechanism, and with height and side adjustment possibilities.

All drawers come with non-slip mats as standard keeping order in the drawer as well as protecting the surface of the drawer from scratches.

Enjoy the silence – and the sight of the “self-closing” bathroom furniture.

## PRODUCT INFORMATION

### CABINETS

16 mm veneered MDF fibre board with veneer edges and moisture-resistant, two-component lacquer providing a robust and easy-to-clean surface. Black rubber or white; moisture-resistant, two-component polyuretan lacquer. The cabinets are supplied fully assembled including back paneling and rails for wall mounting.

### FRONTS

22 mm veneered MDF fibre board with wood edging and coated with moisture-resistant, two component lacquer. Black rubber and white; moisture-resistant, two-component polyuretan lacquer.

### DOORS

All doors are supplied with clip-on hinges which can be adjusted in three directions as well as soft closers.

### DRAWERS

The soft closing drawers have metal sides and rails. When open the drawers are fully accessible and close softly and gently due to the exclusive dampeners. The drawers are fully adjustable. Rubber drawer inlays are supplied as standard in all vanity units.

### SHELVES

All cabinets are supplied as standard with 5 mm glass shelves with polished edges and chrome shelf supports. However, this does not include vanity units.

### MIRRORS

Mirror with integrated light with 10W halogenbulb and 12V transformer (IP-44 approved). Mirror with cube lamps with 25W halogenbulb (IP-21 approved). Both mirrors have sensor switch and include wall furnishing.

### MIRROR CABINETS

All mirror cabinets are supplied with shaver point and switch. Mirror cabinets with 3 doors come with a sensor switch and internal light. Sides with 16 mm veneered MDF fibre board with wooden edges or black/white coated with moisture-resistant, two-component lacquer. Top and bottom in aluminium finish.

### MAGNIFYING MIRROR

The Zaro mirror cabinets, with their soft-closing doors, feature a magnifying mirror on the inside.

### WOOD PRODUCTS - GENERAL

The wood components originates from sustainable forestry. Wood products are characterised by variations in structure and colour. Natural variations will therefore occur in veneers or colours which cannot be described as a product defect. NB! Genuine wood veneer is affected by sunlight, and colour changes are therefore to be expected with time.

### FITTING INSTRUCTIONS

Are included with every delivery.

### WARRANTY

There is a 2 year warranty against manufacturing defects.

## INFORMATIONS

### BEFORE YOU ORDER

The Zaro range is produced to order. Therefore we have a lead time of 3 weeks.

- Always indicate carcass colour.
- Always indicate type and colour of fronts.
- Always indicate colour of washbasin.

### BEFORE YOU FIT THE FURNITURE

Please read the fitting instructions carefully before commencing to fit the furniture. All plumbing work should be done by a competent plumber. Please note that the dimensions of both the cultured marble and the porcelain washbasins are subject to variation within the margins indicated.

### MAINTENANCE

Please always read the folder (enclosed with the furniture on delivery) which contains advice and instructions on the

maintenance of your furniture. Always read the instructions and declaration of contents of any cleaning agents before you use them on your new furniture. Cleaning materials containing abrasives, solvents and strong acids should not be used. Please make sure that wash basin and furniture are dry after use. This will make the cleaning easier and avoids your furniture being damaged by moisture.

### GENERAL

Dansani reserve the right to make any alteration to the products and make product improvements without prior notice. Dansani cannot be held liable for errors due to misprints. Dansani have an ongoing policy of design, development and improvement and reserve the right to modify specification and prices without prior notice. Special orders and furniture that has been fitted cannot be returned.

Please visit [www.dansani.com](http://www.dansani.com) for further information.



Dansani Ltd.

T +44 (0)800 58 71 725

F +44 (0)800 58 71 726

mail@dansani.co.uk

www.dansani.co.uk